

## Nitrogen Siren Driver Cylinder and Valve Assemblies

### FEATURES

- Includes Pressure Gauge and Port for Supervisory Pressure Switch
- For Approvals, see the “COMPATIBILITY” table.
- RoHS Compliant

### DESCRIPTION

Kidde Fire Systems Fire Suppression Systems can use Nitrogen gas pressure from a Nitrogen pilot cylinder to provide the operating pressure for a pressure driven siren. The number of sirens that can operate off of one cylinder depends on the size of the cylinder.

### SPECIFICATIONS

#### Charge Pressure:

1800 PSIG @ 70°F (124 bar @ 21°C)

#### Contents:

Nitrogen (A-A-59155 Grade A, Type 1)

#### Safety Relief:

Bust Disc 2650-3000 PSI at 70°F  
(183-207 BAR at 20°C)

#### Cylinder Type:

Seamless, DOT3AA-1800

#### Cylinder Finish:

Black, Painted

#### Operating Temperature Range:

-40°F to 130°F  
(-40°C to 54°C)

#### Transport Information:

Class 2.2, I.D.#UN1066

#### Empty Weight:

Part Number	~lbs.	~kg	Number of Sirens per Siren Driver
85-101040-001	65	29.5	4
85-102300-001	98	44.5	10



2300 cu. in. 1040 cu. in.

Figure 1. Nitrogen Siren Drivers

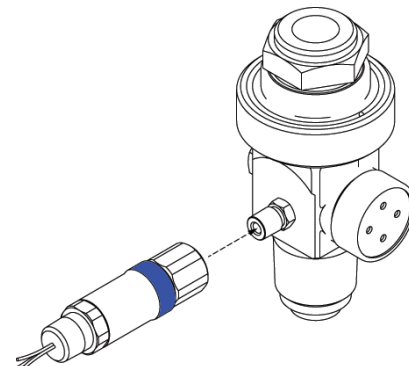


Figure 2. Installation of Nitrogen Driver Supervisory Pressure Switch to Nitrogen Siren Driver Valve (1040 and 2300 cu. in. cylinders only)

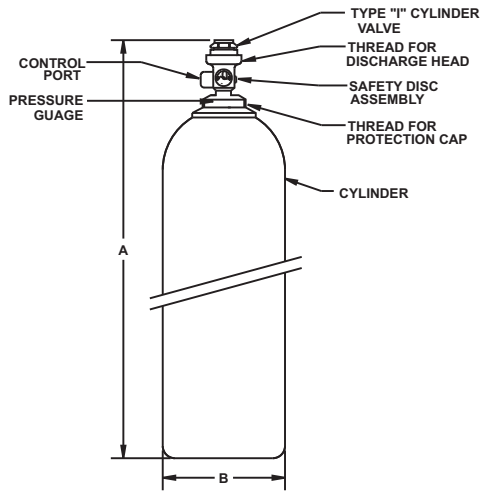


Table 1. Dimensions, Agent Nitrogen Cylinder/Valve Assemblies for Vertical Installation Only

Part Number	Volume		Height A		Diameter B		Burst Disc Color
	in.3	m3	in.	mm	in.	mm	
85-101040-001	1040	0.017	30	760	8.5	215	White
85-102300-001	2300	0.038	55	1390	8.5	215	White

**Note:** All drivers are equipped with a port for attaching a supervisory pressure switch.

Figure 3. 1400 and 2300 cu. in. Nitrogen Siren Driver Cylinder and Valve Assemblies, Vertical Mount Only

## ORDERING INFORMATION

Description	Part Number
<b>Nitrogen Pilot and Siren Driver Cylinders</b>	
1040 cu. in. Nitrogen Cylinder (Pilot, Siren Driver)	85-101040-001
2300 cu. in. Nitrogen Siren Driver Cylinder	85-102300-001
<b>Spare I-Valve</b>	
Spare I-Valve Kit, this kit includes: <ul style="list-style-type: none"> <li>I-Valve</li> <li>Pressure Gauge</li> <li>Schrader Valve</li> <li>Installation Instruction Sheet</li> </ul>	85-220373-001
<b>Supervisory Pressure Switches</b>	
Supervisory Pressure Switch for Nitrogen Pilot and Siren Driver Cylinders (with blue colored band)	85-111540-001
ATEX Supervisory Pressure Switch for Nitrogen Pilot and Siren Driver Cylinders (with blue colored band)	85-111540-100
<b>Mounting Equipment</b>	
Cylinder Strap, for 1040/2300-cu.in Nitrogen Driver Strap*	WK-270014-000
Male Connector, 5/16 in. Flare x 1/8 in. NPT	WK-699205-010
*Two straps are required for each Nitrogen Cylinder	

## COMPATIBILITY

Series	DIOM P/N	Approvals
Kidde Fire Systems Natura™ Inert Gas System	06-237619-001	UL, FM
Kidde Fire Systems ECS-500™ System	06-237585-001	UL, ULC, FM
Kidde Fire Systems ECS-500™ Marine System	06-237589-001	UL, ULC, USCG
Kidde Fire Systems ADS™ for use with Fluoroketone Fire Suppression Agents	06-237256-001	UL, ULC, FM
Kidde Fire Systems ADS™ Marine for use with Fluoroketone Fire Suppression Agents	06-237257-001	UL, ULC, USCG
Kidde Fire Systems ADS™ with HFC-227ea Agent	06-236068-001	UL, ULC, FM
Kidde Fire Systems ADS™ Marine with HFC-227ea Agent	06-236595-001	UL, ULC, USCG
Kidde Fire Systems ECS™ 360 for use with Fluoroketone Fire Suppression Agents	06-236553-001	UL, ULC, FM
Kidde Fire Systems ECS™ 360 Marine for use with Fluoroketone Fire Suppression Agents	06-236559-001	UL, ULC, USCG
Kidde Fire Systems ECS™ 360 with HFC-227ea Agent	06-236115-001	UL, ULC, FM
Kidde Fire Systems Modular ECS™ 360 with HFC-227ea Agent	06-236116-001	UL, ULC, FM
Kidde Fire Systems ECS™ 360 Marine with HFC-227ea Agent	06-236225-001	UL, USCG
Kidde Fire Systems FE-13™ Engineered Suppression System	06-236169-002	UL

### EXPORT INFORMATION (USA)

Jurisdiction: EAR  
Classification: EAR99

This document contains technical data subject to the EAR.

All trademarks are the property of their respective owners.

This literature is provided for informational purposes only. KIDDE-FENWAL, INC. believes this data to be accurate, but it is published and presented without any guarantee or warranty whatsoever. KIDDE-FENWAL, INC. assumes no responsibility for the product's suitability for a particular application. The fire suppression system design, installation, maintenance, service and troubleshooting must be performed by trained, authorized Kidde Fire Systems distributors for the product to work correctly. If you need more information on this product, or if you have a particular problem or question, contact: KIDDE-FENWAL, INC., Ashland, MA 01721 USA, Telephone: (508) 881-2000.